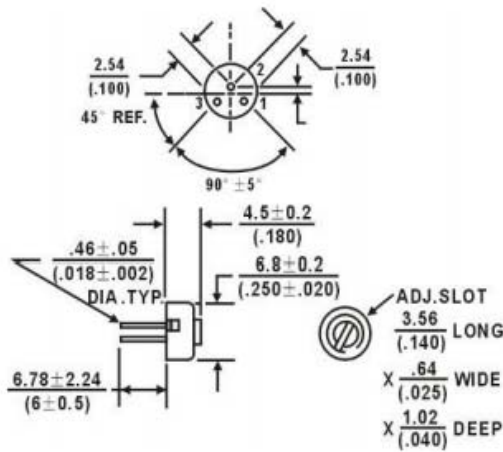


VTR-A-3329 Cermet-Ceramic Trimmer Potentiometers

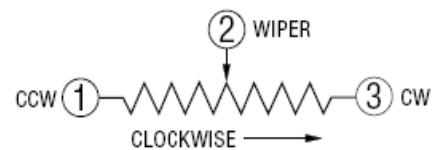
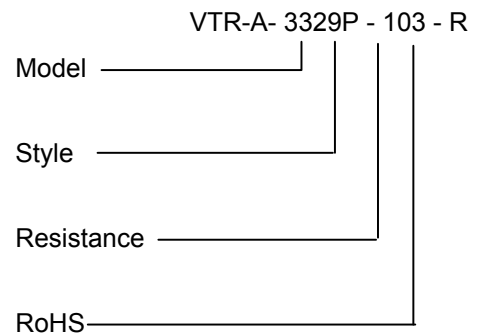
Single Turn/ Cermet/ Industrial/ Sealed * 5 Terminal Styles

Electrical Characteristics		Environmental Characteristics	
Standard Resistance Range	10Ω - 5MΩ	Temperature Range	-55°C ~ +125°C
Resistance Tolerance	±10%	Temperature Coefficient	±200 or ±100ppm/°C (-55°C ~ +125°C)
Absolute Minimum Resistance	≤10Ω (100Ω ≤ R ≤ 1K)	Temperature Variation	ΔR ≤ ±2%R ΔU ₁₂ /ΔU ₁₃ ≤ ±1%R
Contact Resistance Variation	≤3%R OR 5Ω	Collision	390m/s ² , 4000cycles, ΔR ≤ 5%R
Insulation Resistance	R ₁ ≥ 1GΩ (100Vac)	Electrical Endurance at 70°C	0.5W@70°C 1000h, ΔR ≤ 10%R
Withstand Voltage	100V		CRV ≤ 3%R OR 5Ω
Power Rating (70°C)	0.5W	Vibration	10 - 500Hz, 0.75mm, 6h ΔR ≤ 5%R, Δ(U _{ab} /U _{ac}) ≤ 7.5%R
Physical Characteristics			
Effective Travel	280° ± 10°	Starting Torque	≤ 35mN·m
Marking	Resistance Code	Rotational Life	200 cycles (whichever is larger)
Standard Packaging	50pcs/Tube		ΔTR ≤ 4%R, CRV ≤ 3% or 5 Ω

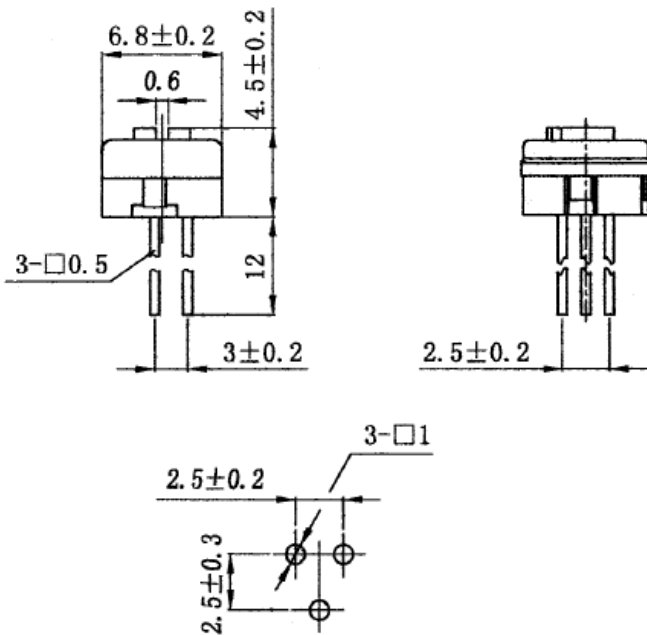
Common Dimensions



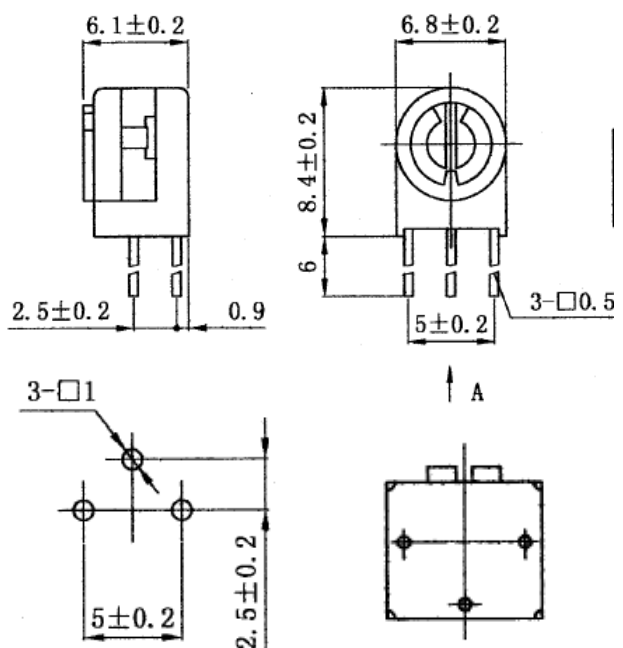
How To Order



VTR-A-3329H



VTR-A-3329S

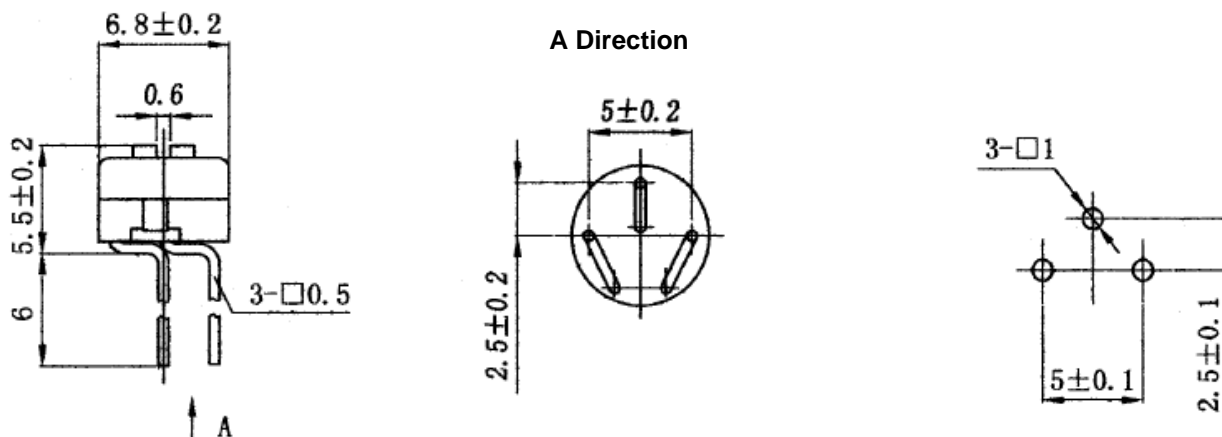


Note: Specification are subject to change without notice. For more updated information, please visit our website.

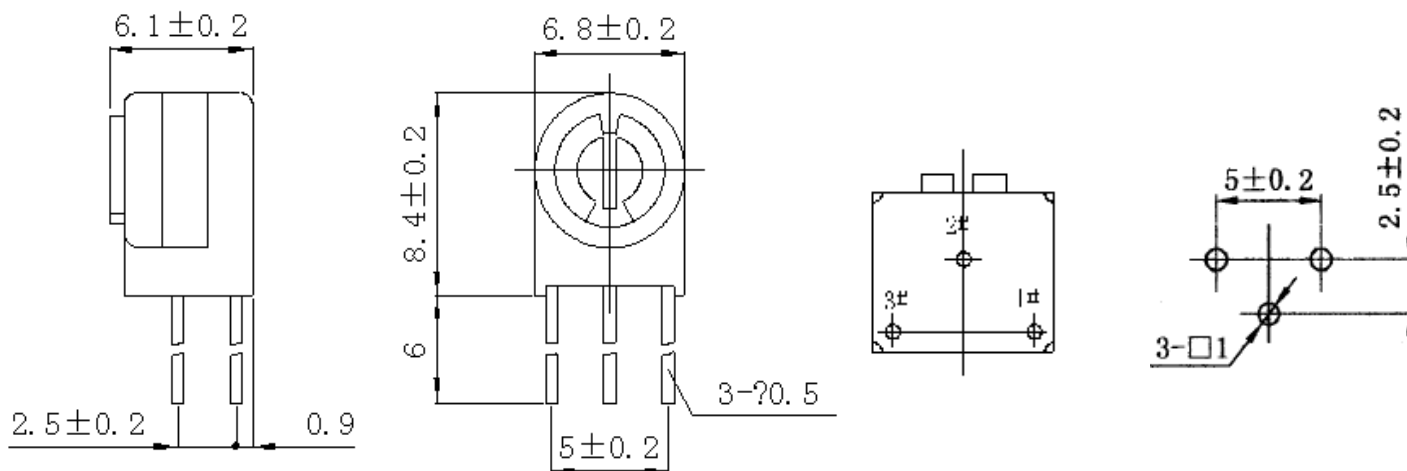
VTR-A-3329 Cermet-Ceramic Trimmer Potentiometers

Single Turn/ Cermet/ Industrial/ Sealed * 5 Terminal Styles

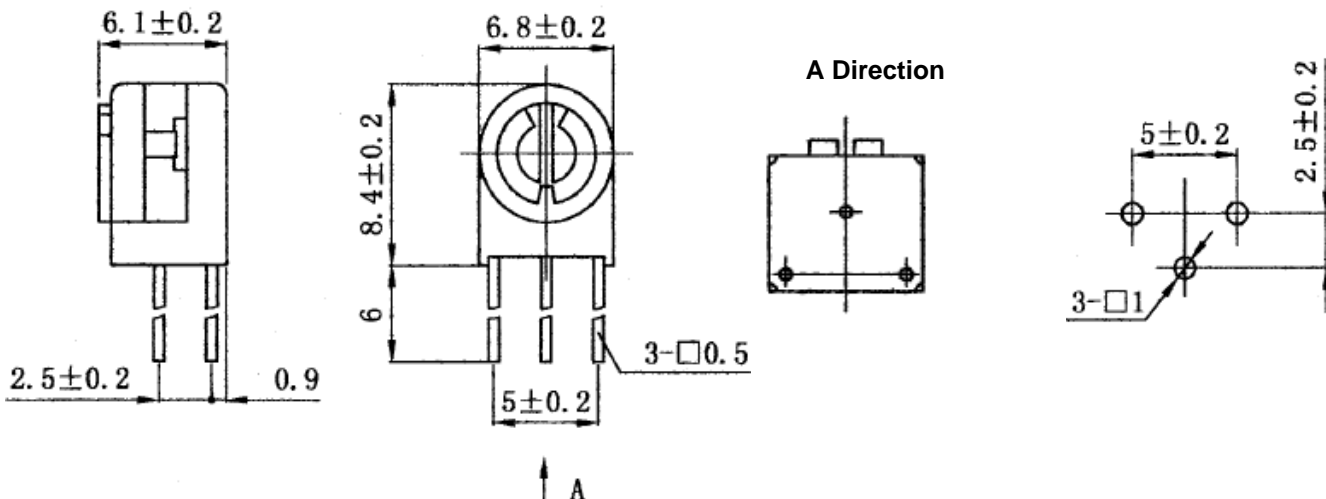
VTR-A-3329P



VTR-A-3329W



VTR-A-3329X



Note: Specification are subject to change without notice. For more updated information, please visit our website.